

HVAC_ZoneThermostat:1 Device Template

For UPnP™ Device Architecture V 1.0

Status: Standardized DCP

Date: May 13th, 2003

This Standardized DCP has been adopted as a Standardized DCP by the Steering Committee of the UPnP Forum, pursuant to Section 2.1(c)(ii) of the UPnP Membership Agreement. UPnP Forum Members have rights and licenses defined by Section 3 of the UPnP Membership Agreement to use and reproduce the Standardized DCP in UPnP Compliant Devices. All such use is subject to all of the provisions of the UPnP Membership Agreement.

THE UPNP FORUM TAKES NO POSITION AS TO WHETHER ANY INTELLECTUAL PROPERTY RIGHTS EXIST IN THE STANDARDIZED DCPS. THE STANDARDIZED DCPS ARE PROVIDED "AS IS" AND "WITH ALL FAULTS". THE UPNP FORUM MAKES NO WARRANTIES, EXPRESS, IMPLIED, STATUTORY, OR OTHERWISE WITH RESPECT TO THE STANDARDIZED DCPS INCLUDING BUT NOT LIMITED TO ALL IMPLIED WARRANTIES OF MERCHANTABILITY, NON-INFRINGEMENT AND FITNESS FOR A PARTICULAR PURPOSE, OF REASONABLE CARE OR WORKMANLIKE EFFORT, OR RESULTS OR OF LACK OF NEGLIGENCE.

© 2001-2003 Contributing Members of the UPnP™ Forum. All Rights Reserved

Authors	Company
Larry Stickler	Honeywell
Andrew Fiddian-Green	Siemens Building Technologies

Contents

1. OVERVIEW AND SCOPE.....	3
1.1. CHANGE LOG.....	4
2. DEVICE DEFINITIONS	4
2.1. DEVICE TYPE.....	4
2.2. DEVICE MODEL	4
2.2.1. <i>Description of Device Requirements</i>	5
2.2.2. <i>Relationships Between Services</i>	5
2.3. THEORY OF OPERATION.....	5
3. XML DEVICE DESCRIPTION.....	3
4. TEST.....	6

List of Tables

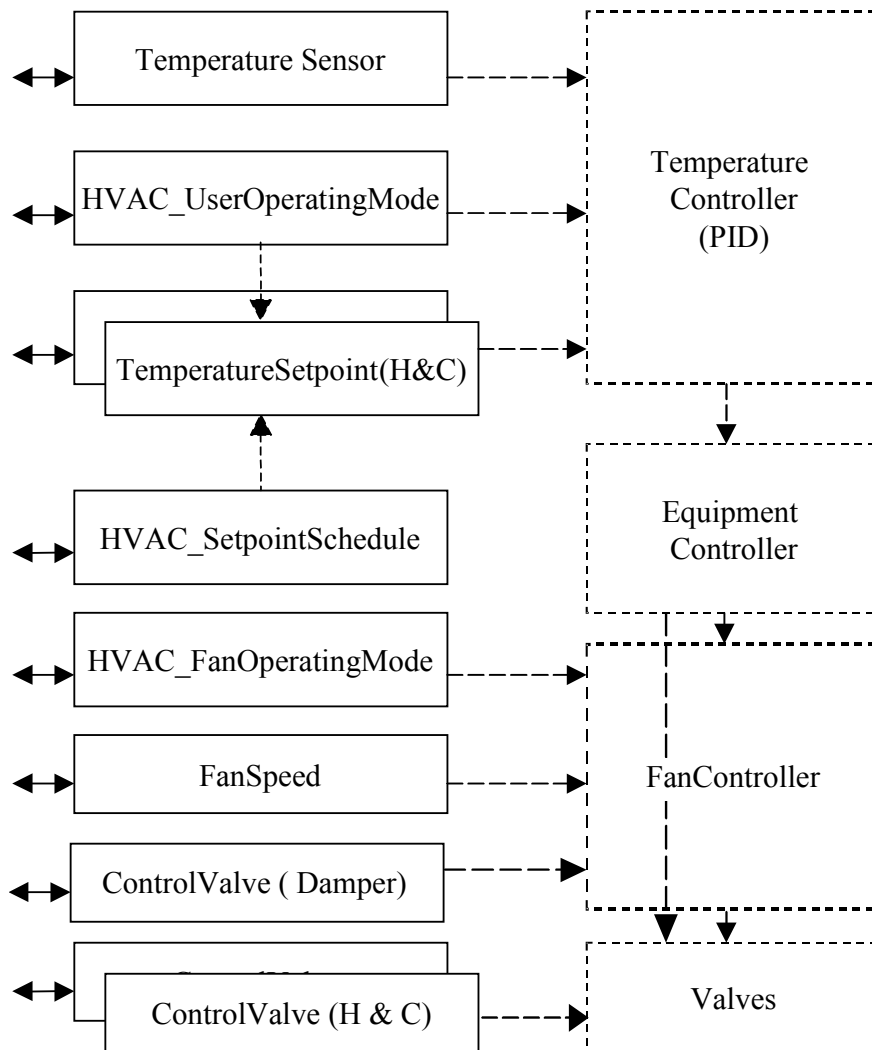
Table 1: Device Requirements	4
------------------------------------	---

1. Overview and Scope

The HVAC_ZoneThermostat is intended to be a sub device of the HVAC_System device. Any number of HVAC_ZoneThermostats may be included in the system device.

HVAC_ZoneThermostat is a zone level controller for heating and/or cooling. It provides the following functionality:

- The ability to set or get zone level operating and fan modes.
- Temperature in the zone
- Zone level Heating and/or cooling temperature setpoints
- Optional fan speed control
- Optional zone level daily schedule for events and heating and cooling setpoints



Solid lines indicate interfaces exposed via UPNP
 Dotted lines indicate interfaces and services not directly visible via UPNP

Figure 1 HVAC_ZoneThermostat:1 Functional Diagram

1.1. Change Log

7/27/2000		Changes per 7/17/2000 meeting and conversion to .996 template
8/18/2000		Clean-up
8/30/00	v0.8	Clean-up following 8/27/00 meeting, advance to 0.8, add xml.
2/21/01		Move to 1.1 template, update to latest service versions, updated Theory of Operation and XML
2/26/01		Proof read, and functional diagram added
3/11/01		Updated functional diagram, added relationships between services
5/1/01		Updated functional diagram, device model and XML
8/6/01		Changed “SetPoint” to “Setpoint” in several locations
[31 May 2002]	v0.9	Revision marks removed. Test chapter added.
[13 May 2003]	v1.0	Converted to Approved Standard.

2. Device Definitions

2.1. Device Type

The following device type identifies a device that is compliant with this template:

urn:schemas-upnp-org:device:**HVAC_ZoneThermostat:1**

2.2. Device Model

Products that expose devices of the type **urn:schemas-upnp-org:device:HVAC_ZoneThermostat:1** must implement minimum version numbers of all required embedded devices and services specified in the table below.

Table 1: Device Requirements

DeviceType	Root	Req. or Opt. ¹	ServiceType	Req. or Opt. ¹	Service ID ²
HVAC_ZoneThermostat:1	Root	R			
			HVAC_UserOperatingMode:1	R	ZoneUserMode
			HVAC_FanOperatingMode:1	O	ZoneFanMode
			FanSpeed:1	O	ZoneFanSpeed
			ControlValve:1	O	HeatingValve
			ControlValve:1	O	CoolingValve

			ControlValve:1	O	AirDamper
			TemperatureSetpoint:1	This device is required to include either a heating or cooling setpoint or both	HeatingSetpoint
			TemperatureSetpoint:1	This device is required to include either a heating or cooling setpoint or both	CoolingSetpoint
			TemperatureSensor:1	O	ZoneTemperature
			HVAC_SetpointSchedule:1	O	ZoneSchedule
<i>Non-standard devices embedded by a UPnP vendor go here.</i>	<i>TBD</i>	<i>X</i>	<i>TBD</i>	<i>TBD</i>	<i>TBD</i>

¹ R = Required, O = Optional, X = Non-standard.

² Prefixed by urn:[upnp-org:serviceId](http://upnp-org.org/serviceId).

2.2.1. Description of Device Requirements

The HVAC_ZoneThermostat is intended to be a sub device of the HVAC_System device. Any number of HVAC_ZoneThermostats may be included in the system device. Each time a ZoneThermostat is added the System device must go bye-bye and then re-advertise its existence via normal UPnP protocols.

In the ZoneThermostat devices these services allow the user to select modes for zone operation. One zone can be set to cool while another can be set to heat. The system modes and the zone modes may be different.

At least one TemperatureSetpoint service must be present – heating or cooling. Both may be present for ZoneThermostats that support both heating and cooling.

2.2.2. Relationships Between Services

TemperatureSensor may be internally wired to a PID controller

Some user operating modes provide a TemperatureSetpoint variable. Example: EnergySavings mode typically implies an “above freezing” TemperatureSetpoint.

FanSpeed and ControlValves variables may be determined by internal PID, equipment and fan controllers.

2.3. Theory of Operation

A HVAC system includes all the heating and cooling equipment necessary to independently condition a whole house or a region of a house. Large homes may include several independent systems. Small homes may only have one system. Individual systems may be zoned.

A forced air system may typically include a furnace with heat exchangers and a fan or a blower, an air conditioning compressor unit, filters, duct work, temperature sensors, temperature setpoints, mode controls and in zoned systems electrically controllable valve or dampers.

Hydronic systems are usually zoned and may typically include a boiler, cooler, pumps, valves, radiators, temperature sensors, temperature setpoints and mode controls.

This device, HVAC_ZoneThermostat, is a container for the HVAC control elements related to a particular zone. It is not necessarily a recognizable single physical device. All the elements are not necessarily exposed. This DCP is targeted at user control and does not expose lower level operational details.

The controls and interfaces for each zone may be contained in a single physical device or distributed among other devices. This DCP illustrates them in a single device called a HVAC_ZoneThermostat. Other DCP's may use the same services but show them used in other containers.

3. XML Device Description

```

<?xml version="1.0"?>
<root xmlns="urn:schemas-upnp-org:device-1-0">
  <specVersion>
    <major>1</major>
    <minor>0</minor>
  </specVersion>
  <URLBase>base URL for all relative URLs</URLBase>
  <device>
    <deviceType>urn:schemas-upnp-org:device:HVAC_ZoneThermostat:1</deviceType>
    <friendlyName>short user-friendly title</friendlyName>
    <manufacturer>manufacturer name</manufacturer>
    <manufacturerURL>URL to manufacturer site</manufacturerURL>
    <modelDescription>long user-friendly title</modelDescription>
    <modelName>model name</modelName>
    <modelName>model number</modelName>
    <modelURL>URL to model site</modelURL>
    <serialNumber>manufacturer's serial number</serialNumber>
    <UDN>uuid:UUID</UDN>
    <UPC>Universal Product Code</UPC>
    <iconList>
      <icon>
        <mimetype>image/format</mimetype>
        <width>horizontal pixels</width>
        <height>vertical pixels</height>
        <depth>color depth</depth>
        <url>URL to icon</url>
      </icon>
      XML to declare other icons, if any, go here
    </iconList>
    <serviceList>
      <service>
        <serviceType>urn:schemas-upnp-org:service:
HVAC_UserOperatingMode:1</serviceType>
        <serviceId>urn:upnp-org:serviceId:ZoneUserMode</serviceId>
        <SCPDURL>URL to service description</SCPDURL>
        <controlURL>URL for control</controlURL>
        <eventSubURL>URL for eventing</eventSubURL>
      </service>
    </serviceList>
    <service>
      <serviceType>urn:schemas-upnp-org:service:
HVAC_FanOperatingMode:1</serviceType>
      <serviceId>urn:upnp-org:serviceId:ZoneFanMode</serviceId>
      <SCPDURL>URL to service description</SCPDURL>
      <controlURL>URL for control</controlURL>
      <eventSubURL>URL for eventing</eventSubURL>
    </service>
    <service>
      <serviceType>urn:schemas-upnp-org:service:ControlValve:1</serviceType>
      <serviceId>urn:upnp-org:serviceId:HeatingValve</serviceId>
      <SCPDURL>URL to service description</SCPDURL>
      <controlURL>URL for control</controlURL>
      <eventSubURL>URL for eventing</eventSubURL>
    </service>
  </device>
</root>

```

```

<service>
<service>
  <serviceType>urn:schemas-upnp-org:service:ControlValve:1</serviceType>
  <serviceId>urn:upnp-org:serviceId:CoolingValve</serviceId>
  <SCPDURL>URL to service description</SCPDURL>
  <controlURL>URL for control</controlURL>
  <eventSubURL>URL for eventing</eventSubURL>
</service>
<service>
  <serviceType>urn:schemas-upnp-org:service:ControlValve:1</serviceType>
  <serviceId>urn:upnp-org:serviceId:AirDamper</serviceId>
  <SCPDURL>URL to service description</SCPDURL>
  <controlURL>URL for control</controlURL>
  <eventSubURL>URL for eventing</eventSubURL>
</service>
  <serviceType>urn:schemas-upnp-org:service:FanSpeed:1</serviceType>
  <serviceId>urn:upnp-org:serviceId:ZoneFanSpeed</serviceId>
  <SCPDURL>URL to service description</SCPDURL>
  <controlURL>URL for control</controlURL>
  <eventSubURL>URL for eventing</eventSubURL>
</service>
<service>
  <serviceType>urn:schemas-upnp-org:service:
  TemperatureSetpoint:1</serviceType>
  <serviceId>urn:upnp-org:serviceId:HeatingSetpoint</serviceId>
  <SCPDURL>URL to service description</SCPDURL>
  <controlURL>URL for control</controlURL>
  <eventSubURL>URL for eventing</eventSubURL>
</service>
<service>
  <serviceType>urn:schemas-upnp-org:service:
  TemperatureSetpoint:1</serviceType>
  <serviceId>urn:upnp-org:serviceId:CoolingSetpoint</serviceId>
  <SCPDURL>URL to service description</SCPDURL>
  <controlURL>URL for control</controlURL>
  <eventSubURL>URL for eventing</eventSubURL>
</service>
<service>
  <serviceType>urn:schemas-upnp-org:service:
  TemperatureSensor:1</serviceType>
  <serviceId>urn:upnp-org:serviceId:ZoneTemperature</serviceId>
  <SCPDURL>URL to service description</SCPDURL>
  <controlURL>URL for control</controlURL>
  <eventSubURL>URL for eventing</eventSubURL>
</service>
<service>
  <serviceType>urn:schemas-upnp-org:service:HVAC SetpointSchedule:1
</serviceType>
  <serviceId>urn:upnp-org:serviceId:ZoneSchedule</serviceId>
  <SCPDURL>URL to service description</SCPDURL>
  <controlURL>URL for control</controlURL>
  <eventSubURL>URL for eventing</eventSubURL>
</service>

```

Declarations for other services defined by a UPnP Forum working committee (if any) go here


```
    Declarations for other services added by UPnP vendor (if any) go here
</serviceList>
<deviceList>
    Description of embedded devices defined by a UPnP Forum working
committee (if any) go here
    Description of embedded devices added by UPnP vendor (if any) go here
</deviceList>
    <presentationURL>URL for presentation</presentationURL>
</device>
</root>
```

4. Test

Testing of the UPnP functions Addressing, Discovery, Description, Control (Syntax) and Eventing are performed by the UPnP Test Tool v1.1 based on the following documents:

- UPnP Device Architecture v1.0
- The Device Definitions in chapter 2 of this document
- The XML Device Description in chapter 3 of this document
- The UPnP Test Tool device template test file: *HVAC_ZoneThermostat1.xml*
- The template documents for the services referenced by this device, together with their respective UPnP Test Tool service template test files.